

Rexroth Bosch Group

Service Part List

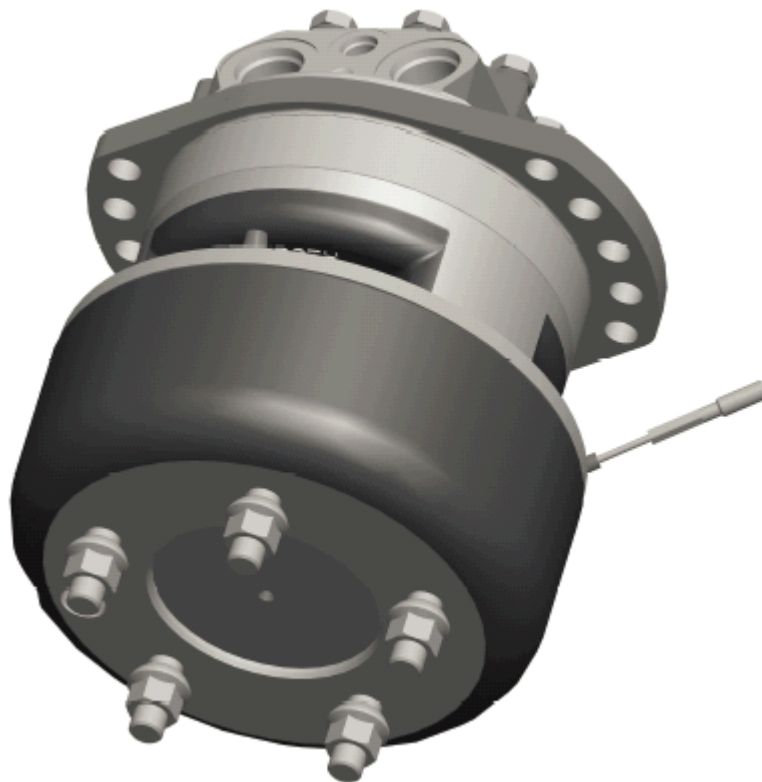
Bosch Rexroth Part Numbers

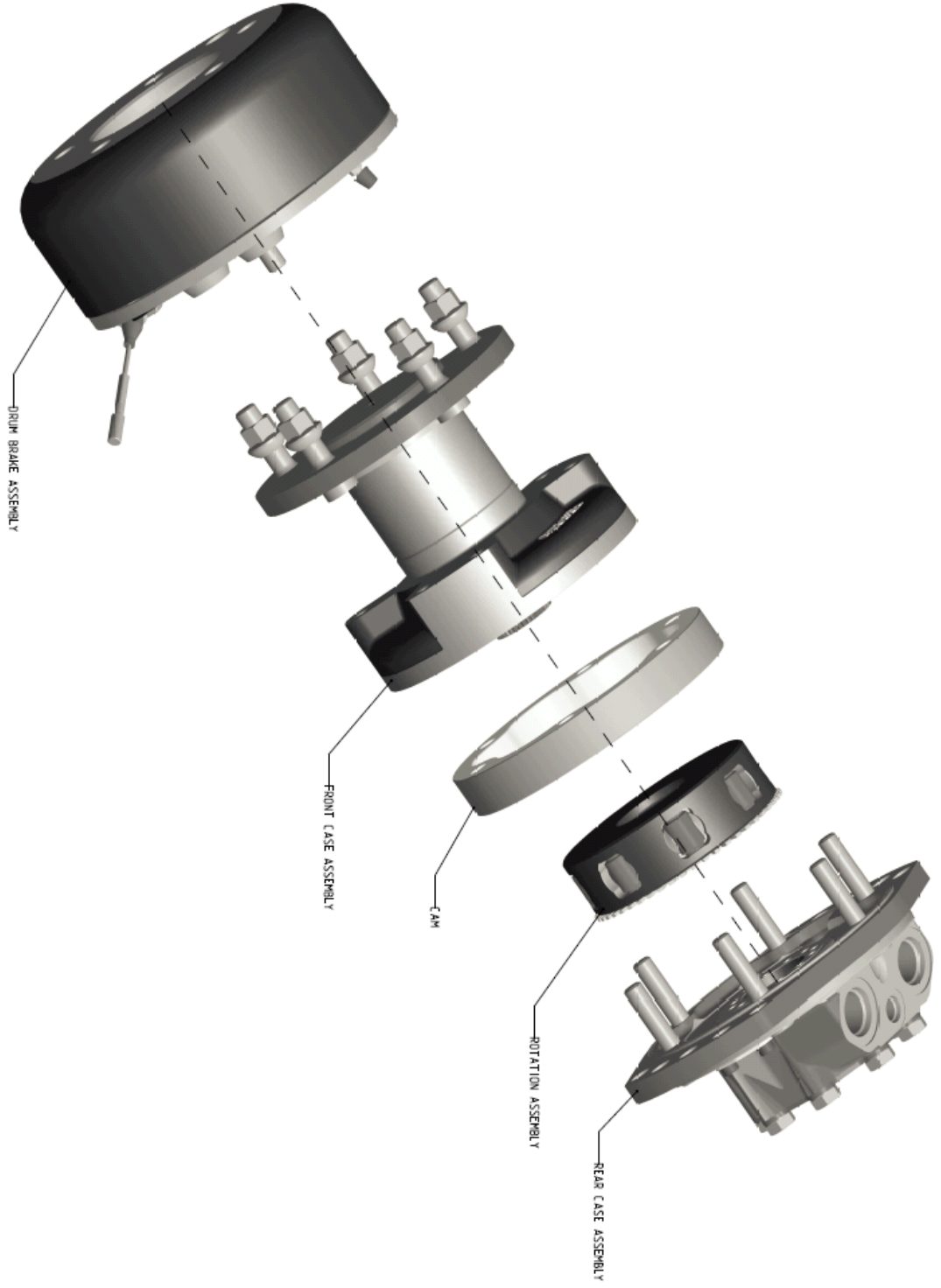
R921811114 Revision B

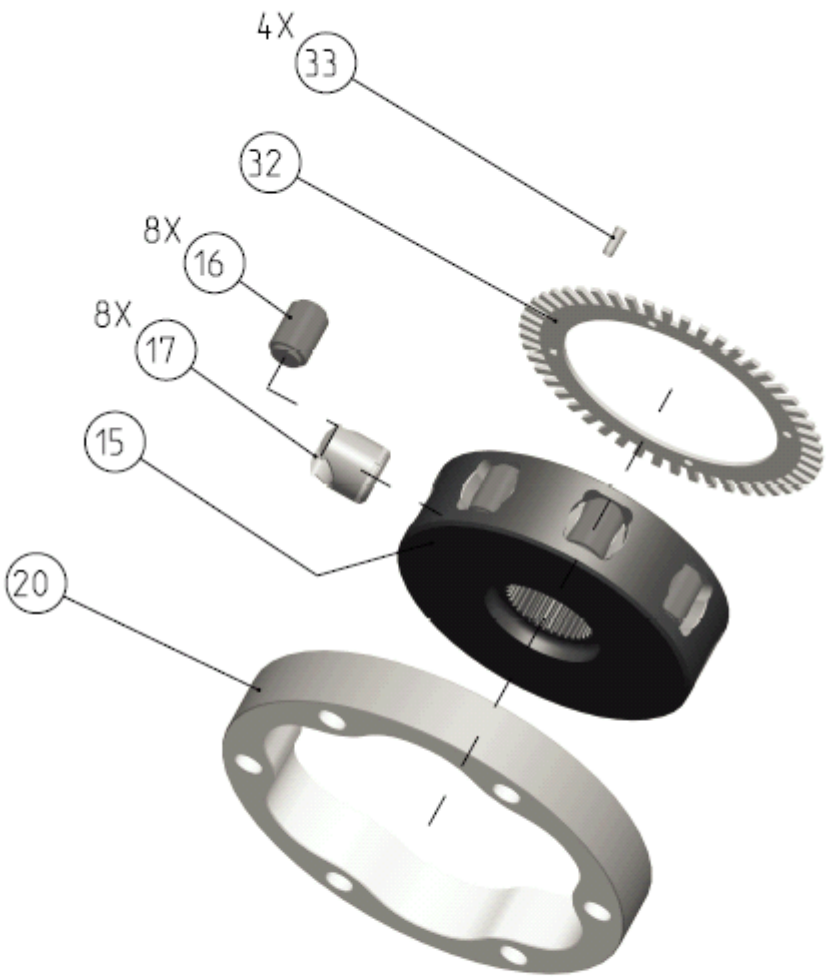
R921811115 Revision B

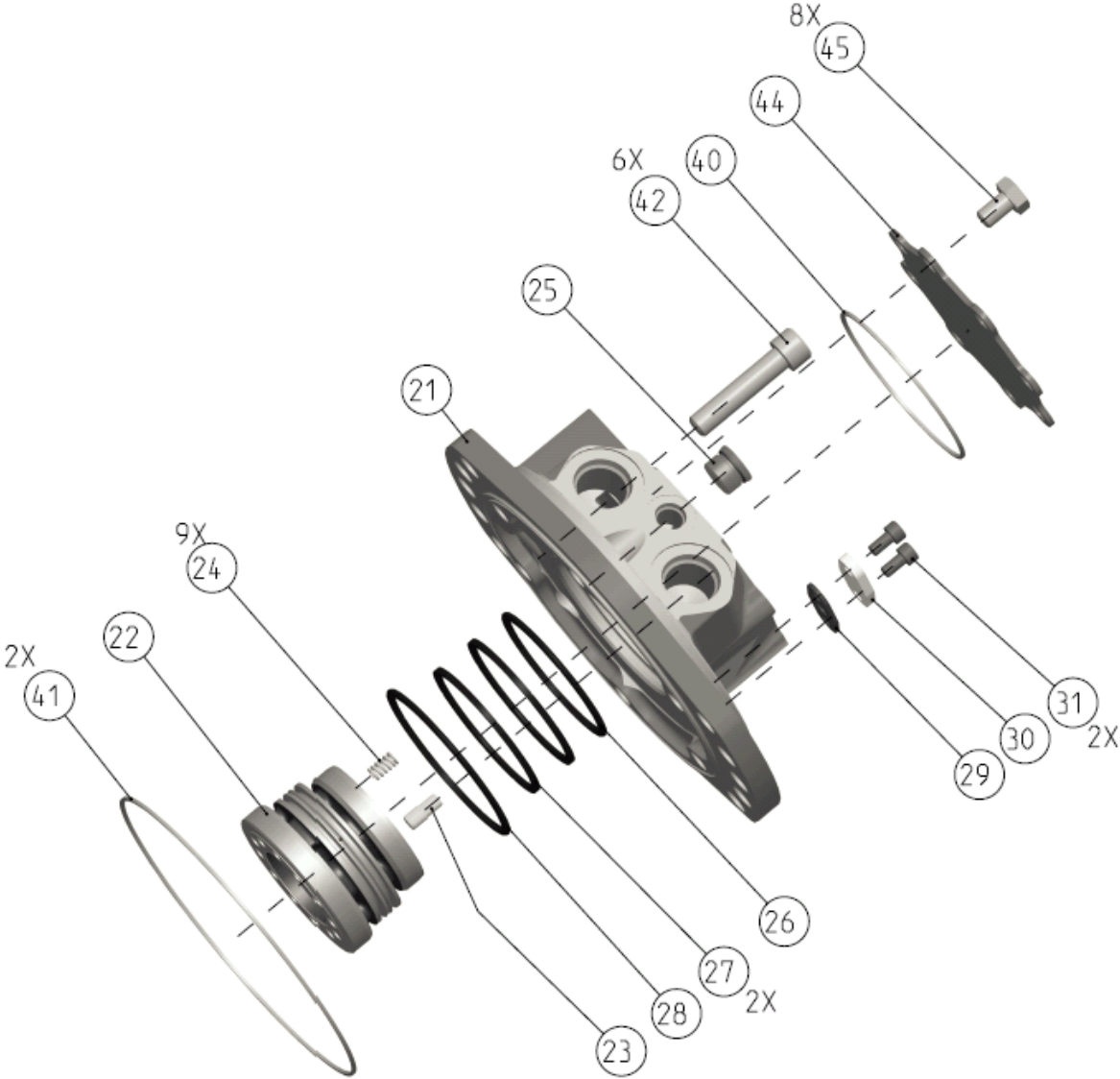
R921811116 Revision B

R921811117 Revision B









R921811114 MCR3F225F180Z32C2LM1L12P0S SO389B

REV B 01.11.2011

G.A. 7481-0000008744
INST. DO71654
SEAL KIT R921853583

FULL MOTOR CODE
MCR3F 225 F180Z-32/C2LM/1L/12/
P0/S/SO389B

S.O. FEATURES

1. BRAKE & FRONT CASE ROTATED
60° ANTI-CLOCKWISE (VIEWED FROM
SHAFT END).
2. NEW DRUM BRAKE WITH NO CABLE
ENTRY HOLES
3. MOTOR PAINTED BLACK PER REXROTH
SPEC DO/200/23/03.
4. MOTOR FITTED WITH P23 PISTON SEATS.

Stock Number Level Description

Stock Number	Level Description	UOM Qty	TPos
R921853583	MCR3 SEAL KIT SO374B	PC 1.000	
R921851457	FACE SEAL 65X87X5.5 NBR	PC 1.000	
R921851418	SHAFT SEAL HP 45X65X6 NBR75	PC 1.000	
R921853721	ROD SEAL 70.00	PC 1.000	
R921853759	PISTON SEAL 77.225	PC 2.000	
R921853725	ROD SEAL 84.00	PC 1.000	
R921852437	O-RING 13.60X2.40 NBR70	PC 1.000	
R921853616	O-RING 8.92X1.83 FKM90	PC 1.000	
R921853215	SQ. SEAL RING 88.62X1.68 NBR70/80	PC 1.000	
R921853485	SQ. SEAL RING 171.50X1.68 NBR90	PC 2.000	
7481-000DO71654	INST DRG MCR3F F180Z-32/C2M/1L/12/P0/F1/	PC 1.000	
7481-0000008744	GA MCR3FF180 Z-32/C2*/1L*/F*/P*/S/SO389	PC 1.000	
7481-00000TP039	MOTOR TEST SPEC - RIGS H9, H10, H11, H13	PC 1.000	
7481-DO20023-03	PAINT SPECIFICATION - JET BLACK MATT	PC 1.000	
R921853517	MCR3 F/CASE S/A F/F180/C2M	PC 1.000	
R921176335	MCR3 SHAFT G/F180	PC 1.000	001
R921176847	MCR3 FRONT CASE G/LONG	PC 1.000	002
R921175225	MCR3 ABUTMENT WASHER /1> /10	PC 1.000	003
R921175226	MCR3 SPLIT RING	PC 1.000	004
R921854823	TAP.ROLLER BEAR. 45X75X20	PC 1.000	006
R921854822	TAP.ROLLER BEAR. 40X90X25.25	PC 1.000	007
R921851457	FACE SEAL 65X87X5.5 NBR	PC 1.000	010
R921851418	SHAFT SEAL HP 45X65X6 NBR75	PC 1.000	011
R921176252	WHEEL STUD M14-1.5X57.5 GR12.9	PC 5.000	013
R921851190	WHEEL NUT M14-1.5 SPHERICAL GRADE 10	PC 5.000	014
R921856517	MCR3 ROTN S/A LD/P23/P1/SO242	PC 1.000	
R921179203	MCR3 CYLINDER BLOCK LD/P1 REWORK	PC 1.000	015
R921853639	MCR3 ROLLER LD STEPPED Ø17X25	PC 8.000	016
R921853939	MCR3 PISTON S/A LD/P23/SO242	PC 8.000	017
R921178644	MCR3 TARGET DISC ED/P1	PC 1.000	032
R921853849	SPIRAL SPRING PIN FLARED Ø4X12	PC 4.000	033
R921176358	MCR3 CAM 225/325	PC 1.000	020
R921856425	MCR3 R/CASE S/A F/1L/12/P0/SO389B	PC 1.000	
R921179763	MCR3 REAR CASE F/1L/12/P1/SO389B	PC 1.000	021
R921176977	MCR3 DISTRIBUTOR 1S	PC 1.000	022
R921177023	MCR5 STOP PIN Ø8XØ7X19	PC 1.000	023
R921175255	MCR3/5 DISTRIBUTOR SPRING	PC 9.000	024
R921854776	ZERO LEAK PLUG 3/4-16 SAE	PC 1.000	025
R921853721	ROD SEAL 70.00	PC 1.000	026
R921853759	PISTON SEAL 77.225	PC 2.000	027
R921853725	ROD SEAL 84.00	PC 1.000	028
R921855225	SPEED SENSOR PORT GASKET /P0 FKM90	PC 1.000	029
R921855224	SPEED SENSOR PORT COVER /P0	PC 1.000	030
R921856175	SOCKET HEAD SCREW ISO4762-M6X12-12.9	PC 2.000	031

R921853215	SQ. SEAL RING 88.62X1.68 NBR70/80	PC 1.000	040
R921853485	SQ. SEAL RING 171.50X1.68 NBR90	PC 2.000	041
R921851752	SH CAP SCREW M12X55 GRADE 14.8	PC 6.000	042
R921175256	MCR3 REAR CASE END COVER 1S/3MM	PC 1.000	044
R921851415	HEX HEAD SCREW M10X16 GRADE 8.8	PC 8.000	045
R921855094	MOTOR LABEL BAR CODED - REXROTH	PC 1.000	046
R921853102	SHIPPING PLUG 1 1/16-12 CAPLUG RPO-112	PC 2.000	047
R921852969	SHIPPING PLUG 9/16-18UNF CAPLUG RPO-106	PC 2.000	048
R921856428	MCR3 DRUM BRAKE S/A C2M/SO389B	PC 1.000	
R921176939	MCR3 BRAKE DRUM C2	PC 1.000	053
R921856424	MCR3 DRUM BRAKE 203X40 SO389B	PC 1.000	054
R921853885	HEX HEAD SCREW M12X35 GRADE 10.9	PC 6.000	058
R921853138	ANGLED BANJO BRAKE FITTING (BRAKE FLUID)	PC 1.000	064

R921811115 MCR3F225F180Z32C2RM1L12S SO389C

REV B 01.11.2011

G.A. 7481-0000008744
INST. DO71657
SEAL KIT R921853583

FULL MOTOR CODE
MCR3F 225 F180Z-32/C2RM/1L/12/
/S/SO389C

S.O. FEATURES

1. BRAKE & FRONT CASE ROTATED
60° CLOCKWISE (VIEWED FROM
SHAFT END).
2. NEW DRUM BRAKE WITH NO CABLE
ENTRY HOLES.
3. MOTOR PAINTED BLACK PER REXROTH
SPEC DO/200/23/03.
4. MOTOR FITTED WITH P23 PISTON SEATS.

Stock Number Level Description

Stock Number	Level Description	UOM Qty	TPos
R921853583	MCR3 SEAL KIT SO374B	PC 1.000	
R921851457	FACE SEAL 65X87X5.5 NBR	PC 1.000	
R921851418	SHAFT SEAL HP 45X65X6 NBR75	PC 1.000	
R921853721	ROD SEAL 70.00	PC 1.000	
R921853759	PISTON SEAL 77.225	PC 2.000	
R921853725	ROD SEAL 84.00	PC 1.000	
R921852437	O-RING 13.60X2.40 NBR70	PC 1.000	
R921853616	O-RING 8.92X1.83 FKM90	PC 1.000	
R921853215	SQ. SEAL RING 88.62X1.68 NBR70/80	PC 1.000	
R921853485	SQ. SEAL RING 171.50X1.68 NBR90	PC 2.000	
7481-000DO71657	INST DRG MCR3F F180Z-32/C2M/1L/12/P0/F1/	PC 1.000	
7481-0000008744	GA MCR3FF180 Z-32/C2*/1L*/F*/P*/S/SO389	PC 1.000	
7481-00000TP039	MOTOR TEST SPEC - RIGS H9, H10, H11, H13	PC 1.000	
7481-DO20023-03	PAINT SPECIFICATION - JET BLACK MATT	PC 1.000	
R921853517	MCR3 F/CASE S/A F/F180/C2M	PC 1.000	
R921176335	MCR3 SHAFT G/F180	PC 1.000	001
R921176847	MCR3 FRONT CASE G/LONG	PC 1.000	002
R921175225	MCR3 ABUTMENT WASHER /1> /10	PC 1.000	003
R921175226	MCR3 SPLIT RING	PC 1.000	004
R921854823	TAP.ROLLER BEAR. 45X75X20	PC 1.000	006
R921854822	TAP.ROLLER BEAR. 40X90X25.25	PC 1.000	007
R921851457	FACE SEAL 65X87X5.5 NBR	PC 1.000	010
R921851418	SHAFT SEAL HP 45X65X6 NBR75	PC 1.000	011
R921176252	WHEEL STUD M14-1.5X57.5 GR12.9	PC 5.000	013
R921851190	WHEEL NUT M14-1.5 SPHERICAL GRADE 10	PC 5.000	014
R921852603	MCR3 ROTN S/A LD/P23/SO242	PC 1.000	
R921177191	MCR3 CYLINDER BLOCK /LD	PC 1.000	015
R921853639	MCR3 ROLLER LD STEPPED Ø17X25	PC 8.000	016
R921853939	MCR3 PISTON S/A LD/P23/SO242	PC 8.000	017
R921176358	MCR3 CAM 225/325	PC 1.000	020
R921856427	MCR3 R/CASE S/A F/1L/12/SO389C	PC 1.000	
R921179759	MCR3 REAR CASE 1L/12/SO389C	PC 1.000	021
R921176977	MCR3 DISTRIBUTOR 1S	PC 1.000	022
R921177023	MCR5 STOP PIN Ø8XØ7X19	PC 1.000	023
R921175255	MCR3/5 DISTRIBUTOR SPRING	PC 9.000	024
R921854776	ZERO LEAK PLUG 3/4-16 SAE	PC 1.000	025
R921853721	ROD SEAL 70.00	PC 1.000	026
R921853759	PISTON SEAL 77.225	PC 2.000	027
R921853725	ROD SEAL 84.00	PC 1.000	028
R921853215	SQ. SEAL RING 88.62X1.68 NBR70/80	PC 1.000	040
R921853485	SQ. SEAL RING 171.50X1.68 NBR90	PC 2.000	041
R921851752	SH CAP SCREW M12X55 GRADE 14.8	PC 6.000	042

R921175256	MCR3 REAR CASE END COVER 1S/3MM	PC 1.000	044
R921851415	HEX HEAD SCREW M10X16 GRADE 8.8	PC 8.000	045
R921855094	MOTOR LABEL BAR CODED - REXROTH	PC 1.000	046
R921853102	SHIPPING PLUG 1 1/16-12 CAPLUG RPO-112	PC 2.000	047
R921852969	SHIPPING PLUG 9/16-18UNF CAPLUG RPO-106	PC 2.000	048
R921856428	MCR3 DRUM BRAKE S/A C2M/SO389B	PC 1.000	
R921176939	MCR3 BRAKE DRUM C2	PC 1.000	053
R921856424	MCR3 DRUM BRAKE 203X40 SO389B	PC 1.000	054
R921853885	HEX HEAD SCREW M12X35 GRADE 10.9	PC 6.000	058
R921853138	ANGLED BANJO BRAKE FITTING (BRAKE FLUID)	PC 1.000	064

R921811116 MCR3F225F180Z32C2LM1L12S SO389D

REV B 01.11.2011

G.A. 7481-0000008743
INST. DO71653
SEAL KIT R921853583

FULL MOTOR CODE
MCR3F 225 F180Z-32/C2LM/1L/12/
S/SO389D

S.O. FEATURES

1. C2L BRAKE & FRONT CASE ROTATED 120° CLOCKWISE (VIEWED FROM SHAFT END).
2. M10 BRAKE HYDRAULIC PORT PLUGGED FOR BRAKE CABLE OPERATION ONLY
3. NEW SPECIAL BRAKE CABLE.
4. MOTOR PAINTED BLACK PER REXROTH SPEC DO/200/23/03.
5. MOTOR FITTED WITH P23 PISTON SEATS.

Stock Number Level Description

Stock Number	Level Description	UOM Qty	TPos
R921853583	MCR3 SEAL KIT SO374B	PC 1.000	
R921851457	FACE SEAL 65X87X5.5 NBR	PC 1.000	
R921851418	SHAFT SEAL HP 45X65X6 NBR75	PC 1.000	
R921853721	ROD SEAL 70.00	PC 1.000	
R921853759	PISTON SEAL 77.225	PC 2.000	
R921853725	ROD SEAL 84.00	PC 1.000	
R921852437	O-RING 13.60X2.40 NBR70	PC 1.000	
R921853616	O-RING 8.92X1.83 FKM90	PC 1.000	
R921853215	SQ. SEAL RING 88.62X1.68 NBR70/80	PC 1.000	
R921853485	SQ. SEAL RING 171.50X1.68 NBR90	PC 1.000	
7481-0000008743	GA MCR3FF180 Z-32/C2*/1L*/P*/S/SO389D&E	PC 1.000	
7481-00000TP039	MOTOR TEST SPEC - RIGS H9, H10, H11, H13	PC 1.000	
7481-DO20023-03	PAINT SPECIFICATION - JET BLACK MATT	PC 1.000	
R921853517	MCR3 F/CASE S/A F/F180/C2M	PC 1.000	
R921176335	MCR3 SHAFT G/F180	PC 1.000	001
R921176847	MCR3 FRONT CASE G/LONG	PC 1.000	002
R921175225	MCR3 ABUTMENT WASHER /1> /10	PC 1.000	003
R921175226	MCR3 SPLIT RING	PC 1.000	004
R921854823	TAP.ROLLER BEAR. 45X75X20	PC 1.000	006
R921854822	TAP.ROLLER BEAR. 40X90X25.25	PC 1.000	007
R921851457	FACE SEAL 65X87X5.5 NBR	PC 1.000	010
R921851418	SHAFT SEAL HP 45X65X6 NBR75	PC 1.000	011
R921176252	WHEEL STUD M14-1.5X57.5 GR12.9	PC 5.000	013
R921851190	WHEEL NUT M14-1.5 SPHERICAL GRADE 10	PC 5.000	014
R921852603	MCR3 ROTN S/A LD/P23/SO242	PC 1.000	
R921177191	MCR3 CYLINDER BLOCK /LD	PC 1.000	015
R921853639	MCR3 ROLLER LD STEPPED Ø17X25	PC 8.000	016
R921853939	MCR3 PISTON S/A LD/P23/SO242	PC 8.000	017
R921176358	MCR3 CAM 225/325	PC 1.000	020
R921856427	MCR3 R/CASE S/A F/1L/12/SO389C	PC 1.000	
R921179759	MCR3 REAR CASE 1L/12/SO389C	PC 1.000	021
R921176977	MCR3 DISTRIBUTOR 1S	PC 1.000	022
R921177023	MCR5 STOP PIN Ø8XØ7X19	PC 1.000	023
R921175255	MCR3/5 DISTRIBUTOR SPRING	PC 9.000	024
R921854776	ZERO LEAK PLUG 3/4-16 SAE	PC 1.000	025
R921853721	ROD SEAL 70.00	PC 1.000	026
R921853759	PISTON SEAL 77.225	PC 2.000	027
R921853725	ROD SEAL 84.00	PC 1.000	028
R921853215	SQ. SEAL RING 88.62X1.68 NBR70/80	PC 1.000	040
R921853485	SQ. SEAL RING 171.50X1.68 NBR90	PC 2.000	041
R921851752	SH CAP SCREW M12X55 GRADE 14.8	PC 6.000	042

R921175256	MCR3 REAR CASE END COVER 1S/3MM	PC 1.000	044
R921851415	HEX HEAD SCREW M10X16 GRADE 8.8	PC 8.000	045
R921855094	MOTOR LABEL BAR CODED - REXROTH	PC 1.000	046
R921853102	SHIPPING PLUG 1 1/16-12 CAPLUG RPO-112	PC 2.000	047
R921852969	SHIPPING PLUG 9/16-18UNF CAPLUG RPO-106	PC 2.000	048
R921856441	MCR3 DRUM BRAKE S/A C2LM/SO389D	PC 1.000	
R921176939	MCR3 BRAKE DRUM C2	PC 1.000	053
R921853633	MCR3 DRUM BRAKE RH 203X40	PC 1.000	054
R921856443	MCR3 DRUM BRAKE CABLE & CIRCLIP SO389	PC 1.000	055
R921853885	HEX HEAD SCREW M12X35 GRADE 10.9	PC 6.000	058
R900015552	SCREW PLUG RNI-14321-M10X1-ST- &	PC 1.000	068

R921811117 MCR3F225F180Z32C2RM1L12SSO389E

REV B 01.11.2011

G.A. 7481-0000008743
INST. DO71656
SEAL KIT R921853583

FULL MOTOR CODE
MCR3F 225 F180Z-32/C2RM/1L/12/
S/SO389E

S.O. FEATURES

1. C2R BRAKE & FRONT CASE ROTATED 120° CLOCKWISE (VIEWED FROM SHAFT END).
2. M10 BRAKE HYDRAULIC PORT PLUGGED FOR BRAKE CABLE OPERATION ONLY
3. NEW SPECIAL BRAKE CABLE.
4. MOTOR PAINTED BLACK PER REXROTH SPEC DO/200/23/03.
5. MOTOR FITTED WITH P23 PISTON SEATS.

Stock Number Level Description

Stock Number	Level	Description	UOM	Qty	TPos
R921853583	1	MCR3 SEAL KIT SO374B	PC	1.000	
R921851457	2	FACE SEAL 65X87X5.5 NBR	PC	1.000	
R921851418	2	SHAFT SEAL HP 45X65X6 NBR75	PC	1.000	
R921853721	2	ROD SEAL 70.00	PC	1.000	
R921853759	2	PISTON SEAL 77.225	PC	2.000	
R921853725	2	ROD SEAL 84.00	PC	1.000	
R921852437	2	O-RING 13.60X2.40 NBR70	PC	1.000	
R921853616	2	O-RING 8.92X1.83 FKM90	PC	1.000	
R921853215	2	SQ. SEAL RING 88.62X1.68 NBR70/80	PC	2.000	
R921853485	2	SQ. SEAL RING 171.50X1.68 NBR90	PC	2.000	
7481-000DO71656	1	INS DRG MCR3F F180Z-32/C2RM/1L/12/P1/	PC	1.000	
7481-0000008743	1	GA MCR3FF180 Z-32/C2*/1L/*P*/S/SO389D&E	PC	1.000	
7481-00000TP039	1	MOTOR TEST SPEC - RIGS H9, H10, H11, H13	PC	1.000	
7481-DO20023-03	1	PAINT SPECIFICATION - JET BLACK MATT	PC	1.000	
R921853517	1	MCR3 F/CASE S/A F/F180/C2M	PC	1.000	
R921176335	2	MCR3 SHAFT G/F180	PC	1.000	001
R921176847	2	MCR3 FRONT CASE G/LONG	PC	1.000	002
R921175225	2	MCR3 ABUTMENT WASHER /1> /10	PC	1.000	003
R921175226	2	MCR3 SPLIT RING	PC	1.000	004
R921854823	2	TAP.ROLLER BEAR. 45X75X20	PC	1.000	006
R921854822	2	TAP.ROLLER BEAR. 40X90X25.25	PC	1.000	007
R921851457	2	FACE SEAL 65X87X5.5 NBR	PC	1.000	010
R921851418	2	SHAFT SEAL HP 45X65X6 NBR75	PC	1.000	011
R921176252	1	WHEEL STUD M14-1.5X57.5 GR12.9	PC	5.000	013
R921851190	1	WHEEL NUT M14-1.5 SPHERICAL GRADE 10	PC	5.000	014
R921852603	1	MCR3 ROTN S/A LD/P23/SO242	PC	1.000	
R921177191	2	MCR3 CYLINDER BLOCK /LD	PC	1.000	015
R921176297	3	MCR3 CYLINDER BLOCK BLANK	PC	1.000	
R921853639	2	MCR3 ROLLER LD STEPPED Ø17X25	PC	8.000	016
R921853939	2	MCR3 PISTON S/A LD/P23/SO242	PC	8.000	017
R921176358	1	MCR3 CAM 225/325	PC	1.000	020
R921856427	1	MCR3 R/CASE S/A F/1L/12/SO389C	PC	1.000	
R921179759	2	MCR3 REAR CASE 1L/12/SO389C	PC	1.000	021
R921176977	2	MCR3 DISTRIBUTOR 1S	PC	1.000	022
R921177023	2	MCR5 STOP PIN Ø8XØ7X19	PC	1.000	023
R921175255	2	MCR3/5 DISTRIBUTOR SPRING	PC	9.000	024
R921854776	2	ZERO LEAK PLUG 3/4-16 SAE	PC	1.000	025
R921853721	2	ROD SEAL 70.00	PC	1.000	026
R921853759	2	PISTON SEAL 77.225	PC	2.000	027
R921853725	2	ROD SEAL 84.00	PC	1.000	028
R921853215	2	SQ. SEAL RING 88.62X1.68 NBR70/80	PC	1.000	040
R921853485	2	SQ. SEAL RING 171.50X1.68 NBR90	PC	2.000	041

R921851752 2 SH CAP SCREW M12X55 GRADE 14.8	PC 6.000	042
R921175256 2 MCR3 REAR CASE END COVER 1S/3MM	PC 1.000	044
R921851415 2 HEX HEAD SCREW M10X16 GRADE 8.8	PC 8.000	045
R921855094 2 MOTOR LABEL BAR CODED – REXROTH	PC 1.000	046
R921853102 2 SHIPPING PLUG 1 1/16-12 CAPLUG RPO-112	PC 2.000	047
R921852969 2 SHIPPING PLUG 9/16-18UNF CAPLUG RPO-106	PC 2.000	048
R921856442 1 MCR3 DRUM BRAKE S/A C2RM/SO389E	PC 1.000	
R921176939 2 MCR3 BRAKE DRUM C2	PC 1.000	053
R921853634 2 MCR3 DRUM BRAKE LH 203X40	PC 1.000	054
R921856443 2 MCR3 DRUM BRAKE CABLE & CIRCLIP SO389	PC 1.000	055
R921853885 2 HEX HEAD SCREW M12X35 GRADE 10.9	PC 6.000	058
R900015552 2 SCREW PLUG RNI-14321-M10X1-ST- &	PC 1.000	068